

le vol du trinocle

Being elated by the vapours of some rare gas, the trinocle can suddenly soar into the sky and plucks up courage to come up to some balconies, windows, skylights, corridors and even over the roofs.

He might sometimes forget that curiosity could kill the cat and push things a bit too far to the point of becoming indiscreet. Fortunately the four mahouts will firmly moderate his enthusiasm by dancing, singing, stamping their feet or cuddling him.

They will use various ruses to restrain the giant so that he will be calmly floating above the tiny passers-by.

But who knows who really pulls the strings ?

concretely

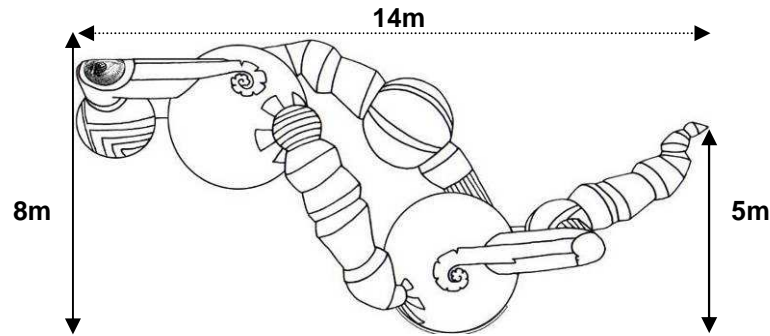
An inflated helium flying puppet dances up in the air and its four pilots control it by the strength of their arms.

They dance sorts of Hakas and sing original distorted songs to avoid any uncontrolled behaviour from the trinocle.

*A HD camera records what the trinocle can see (up to 25 meters high).
At the end of the show, we can make the recorded images available to the event organizers.*



conditions



- ▶ **show** : the company is not liable for V.A.T. tax.
- ▶ **dressing room** : minimum 2 hours before the show, a large and lockable ground-floor dressing room should be put at our disposal and provided with one table and four chairs.
Thank you for providing bottles of water in changing rooms, as well as possibility of taking a shower after the parade, if the place of accommodation is distant.
- ▶ **garage** : the van of the Company should be able to be parked very close to the assembly area of the structures.
- ▶ **surface needed** : 20 meters x 10 meters
- ▶ **locations where the show can be performed** : large streets, avenues and squares.
- ▶ **duration of the performances** : 1 parade of 1h30 (2h maximum).
- ▶ **time in-between 2 performances** : minimum 1 hour to charge or replace the batteries.
- ▶ **minimum height** : 10 meters to pass the lowest points
(to pass under electrical wiring at 6 meters high, please contact us)
- ▶ **staff** : 1 or 2 people of the organization's staff will be needed to accompany us during the entire duration of the show.
- ▶ **transport** : round-trip from Toulouse – € 0.65/km
- ▶ **accommodation** : 4 people
→ 4 single rooms - *A secure garage should be provided for a van.*
→ 2 nights : we will be arriving the night before depending on the distance from Toulouse and the time schedule of the first performance. We will be leaving the following morning.
- ▶ **catering** : 4 people
→ dinner the night before, lunch and dinner the day of the performances.
- ▶ **royalty payment** : Picto Facto filed a patent to the French patent Society (SACD) in the name of "Le Trinocle".



PICTO FACTO
SPECTACLES URBAINS

19, rue Bénézet - 31300 TOULOUSE

● Tél. : +33 (0)5 61 63 93 22 ● e-mail : pictofacto@wanadoo.fr ● Licence : 2-1055526 ● www.pictofacto.fr ●